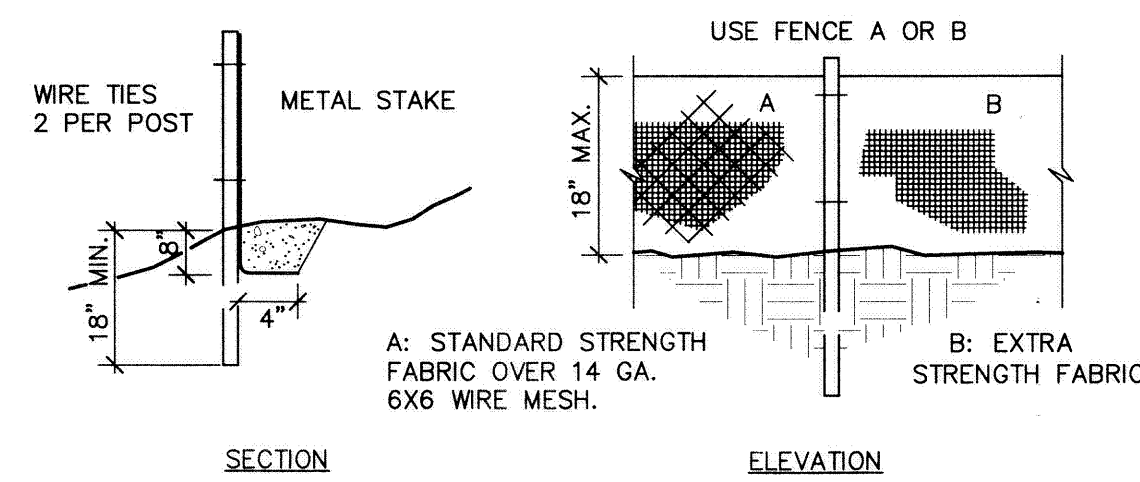
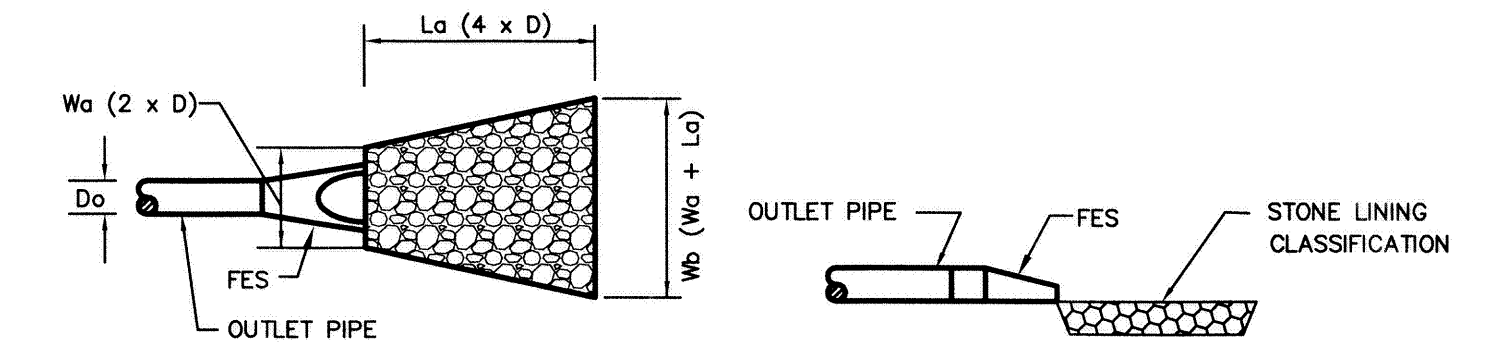


**1**  
**C-5** CONSTRUCTION ENTRANCE/EXIT  
SCALE: N.T.S.

- FENCE NOTES:
1. LOCATE POSTS DOWNSTREAM OF FABRIC TO HELP SUPPORT FENCING AND AT A MAX. DISTANCE OF 6' O.C. W/O WIRE MESH AND 8' O.C. W/ WIRE MESH.
  2. BURY TOE OF FENCE APPROX. 8" TO PREVENT UNDERCUTTING.
  3. WHEN JOINTS ARE NECESSARY, SECURELY FASTEN TO A SUPPORT POST AND OVERLAP TO THE NEXT POST.
  4. OPTIONAL FENCING ACCEPTABLE IF APPROVED BY APPLICABLE AUTHORITIES
- FILTER FABRIC SHOULD CONTAIN ULTRAVIOLET RAY INHIBITORS AND STABILIZERS AND SHALL CONFORM TO THE FOLLOWING:  
 FILTERING EFFICIENCY: 85% MIN.  
 SLURRY FLOW RATE: 0.3 GAL./SQ.FT./MIN (MIN)  
 TENSILE STRENGTH @ 20% ELONG.: 30#/LIN.IN. (STANDARD)  
 50#/LIN.IN. (EXTRA STRENGTH)



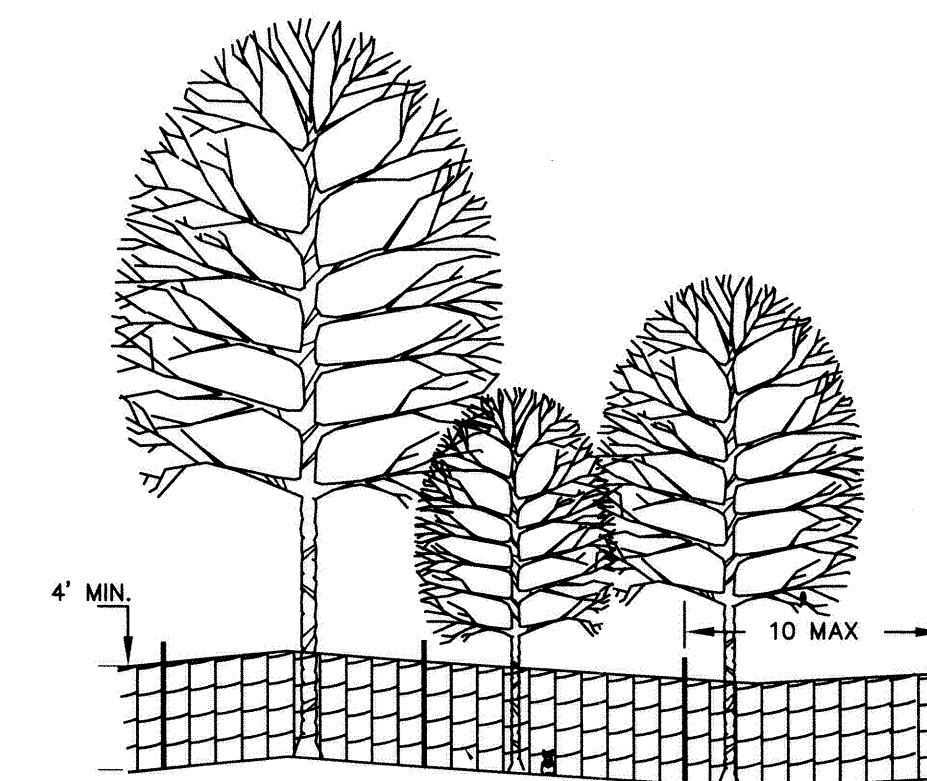
**2**  
**C-5** SILT FENCE DETAIL  
SCALE: N.T.S.



PLAN	SECTION					
OUTLET NO.	Do (IN.)	La (FT.)	Wa (FT.)	Wb (FT.)	DEPTH (IN.)	* LINING CLASSIFICATION
6	2	1	3	8		CLASS A
12	4	2	6	8		CLASS A
15	5	2.5	7.5	8		CLASS A
18	6	3	9	8		CLASS A
24	8	4	12	8		CLASS A

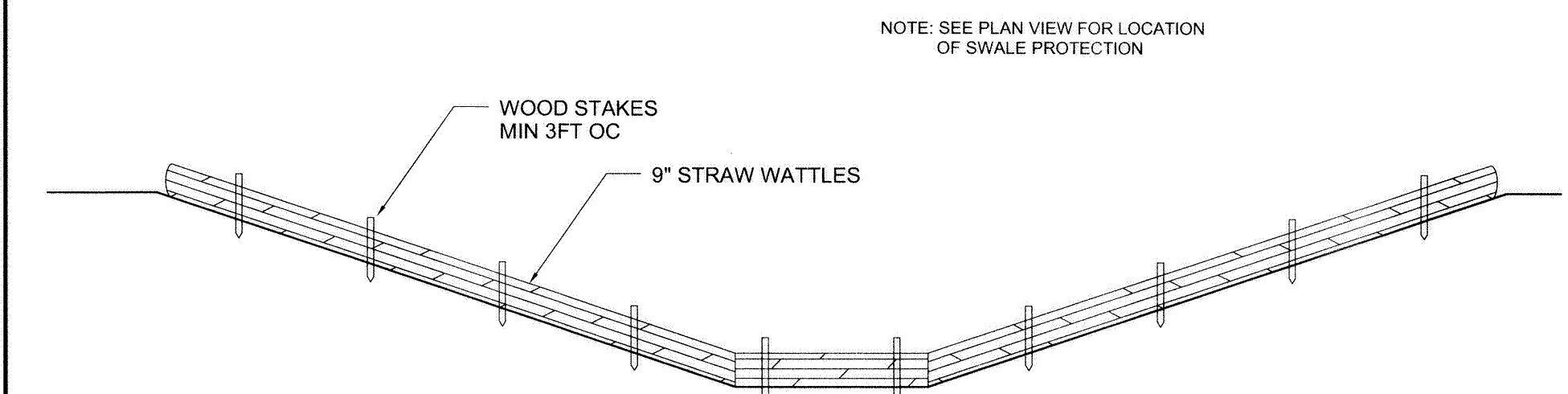
NOTE: CLASS B STONE REQUIRES A SUBLAYER OF FILTER FABRIC OR A 6" THICK BEDDING OF FS-2 FILTER STONE.

**3**  
**C-5** STANDARD OUTLET PROTECTION DETAIL  
SCALE: NONE



- NOTES:
1. USE ORANGE TENSAR GEOGRID PLASTIC FABRIC OR EQUAL
  2. AT THE START OF GRADING OR TOP SOIL STRIPPING, MAKE A SHARP, VERTICAL CUT AT THE EDGE OF TREE PROTECTION AREA. INSTALL TREE PROTECTION FENCE AT DESIGNATED LOCATIONS.
  3. TREE PROTECTION FENCE SHALL REMAIN IN PLACE UNTIL ALL CONSTRUCTION IN THE PROTECTED AREA IS COMPLETE.
  4. NO STORAGE OF MATERIALS, FILL, EQUIPMENT, OR TRESPASSING SHALL BE ALLOWED WITHIN THE BOUNDARY OF THE PROTECTED AREA. THESE PROHIBITIONS SHALL BE POSTED ON THE PROTECTION FENCE.

**4**  
**C-5** TEMPORARY TREE PROTECTION  
SCALE: N.T.S.



NOTE: SEE PLAN VIEW FOR LOCATION OF SWALE PROTECTION

**6**  
**C-5** TEMPORARY SWALE PROTECTION  
SCALE: N.T.S.

FREEMAN COASTAL PROPERTIES, LLC  
 GEODYNAMICS  
 OFFICE & WAREHOUSE  
 CARTERET COUNTY, NORTH CAROLINA

EDA pa  
 Architects Engineers Planners

4206 Bridges Street Extension, Suite C  
 Morehead City, North Carolina 28557  
 Telephone: 252.247.2127 Fax: 252.247.0674  
 Email: eda@edapa.com

CIVIL DETAILS  
 2009413  
 ISSUED: 12/5/09  
 DWG BY: VA  
 CKD BY: VA  
 REVISIONS

SHEET NO.  
**C-5**  
 OF 5