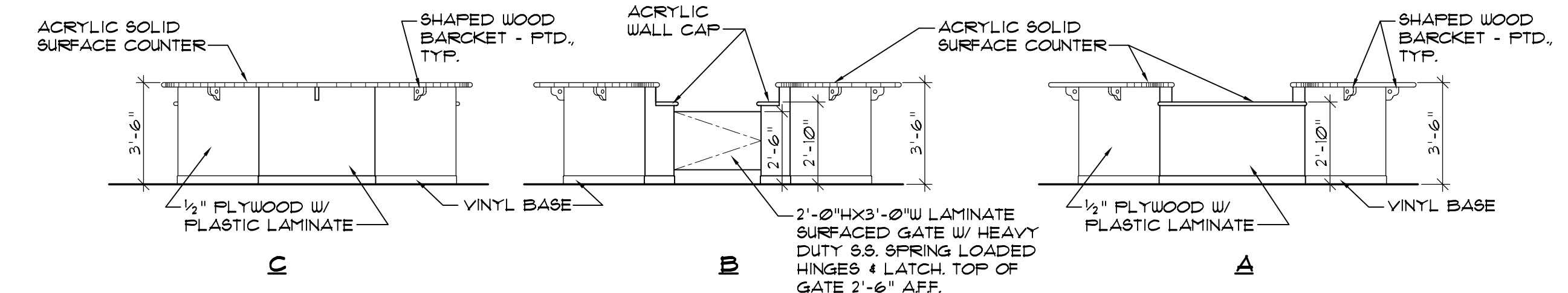
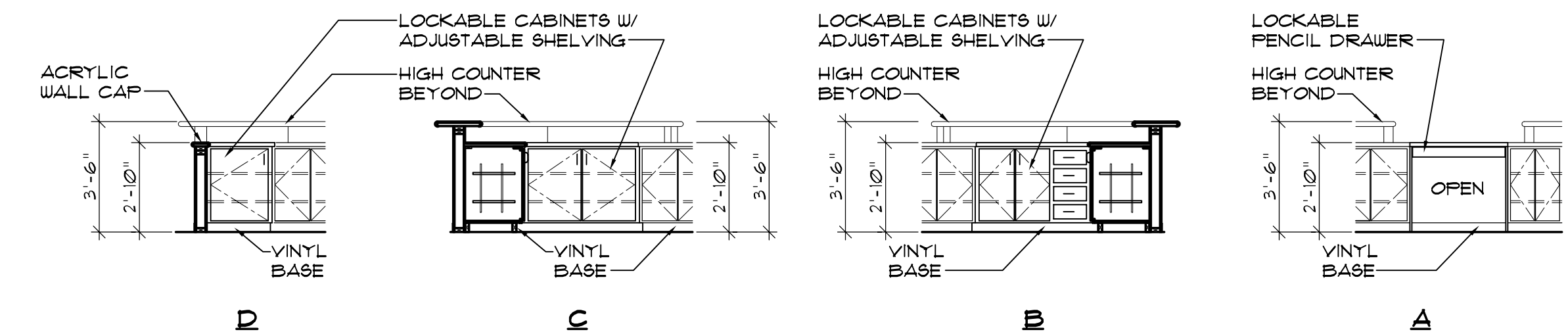


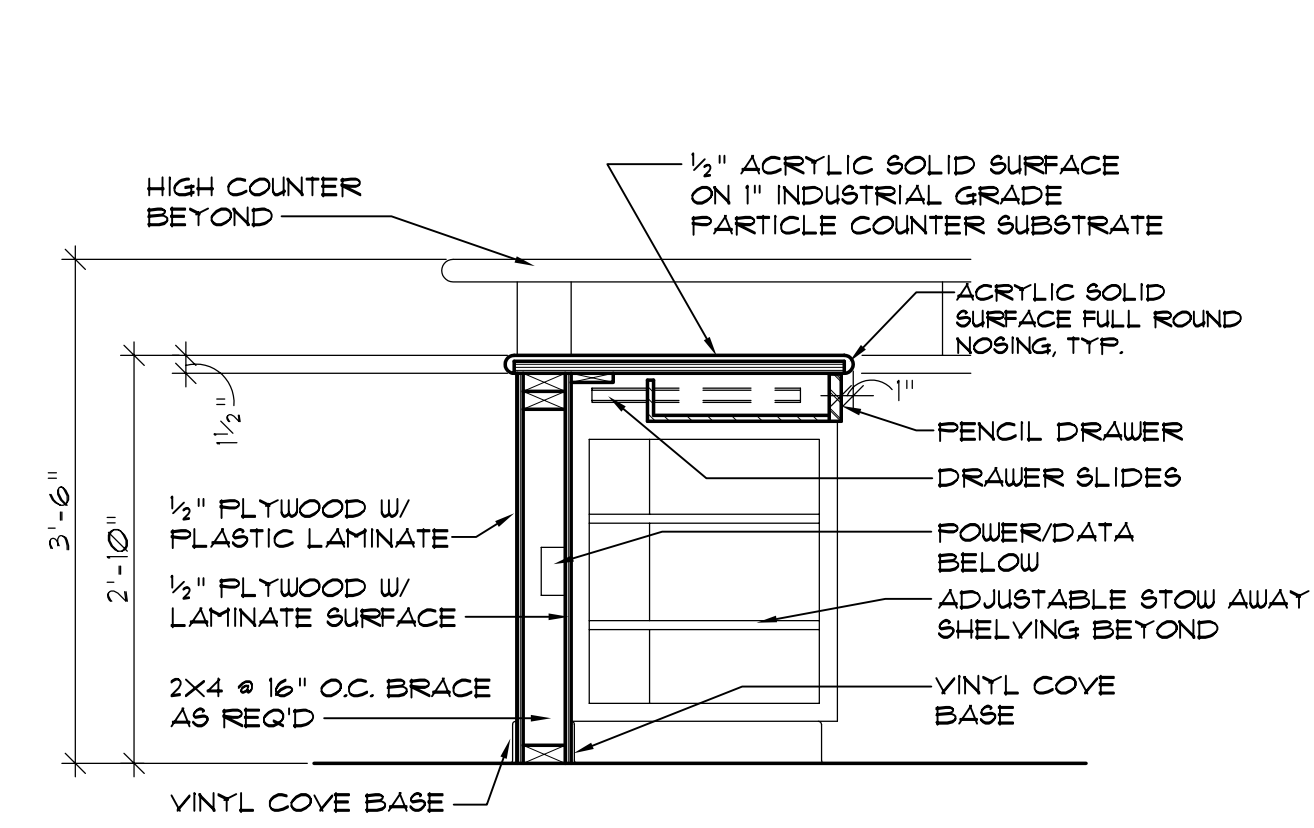
**6 STAIR DETAIL**  
SCALE: 3/4" = 1'-0"



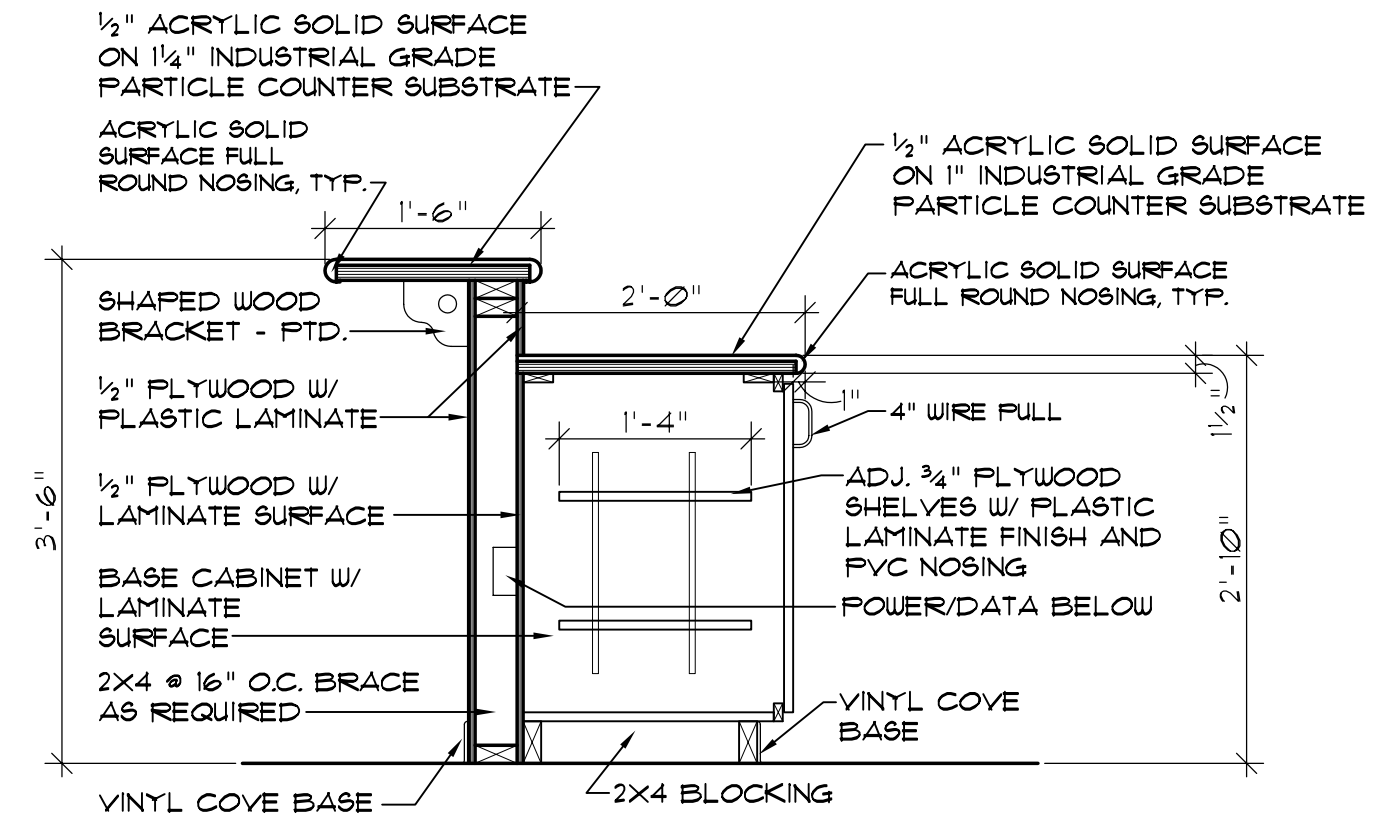
**5 KIOSK ELEVATIONS**  
SCALE: 1/4" = 1'-0"



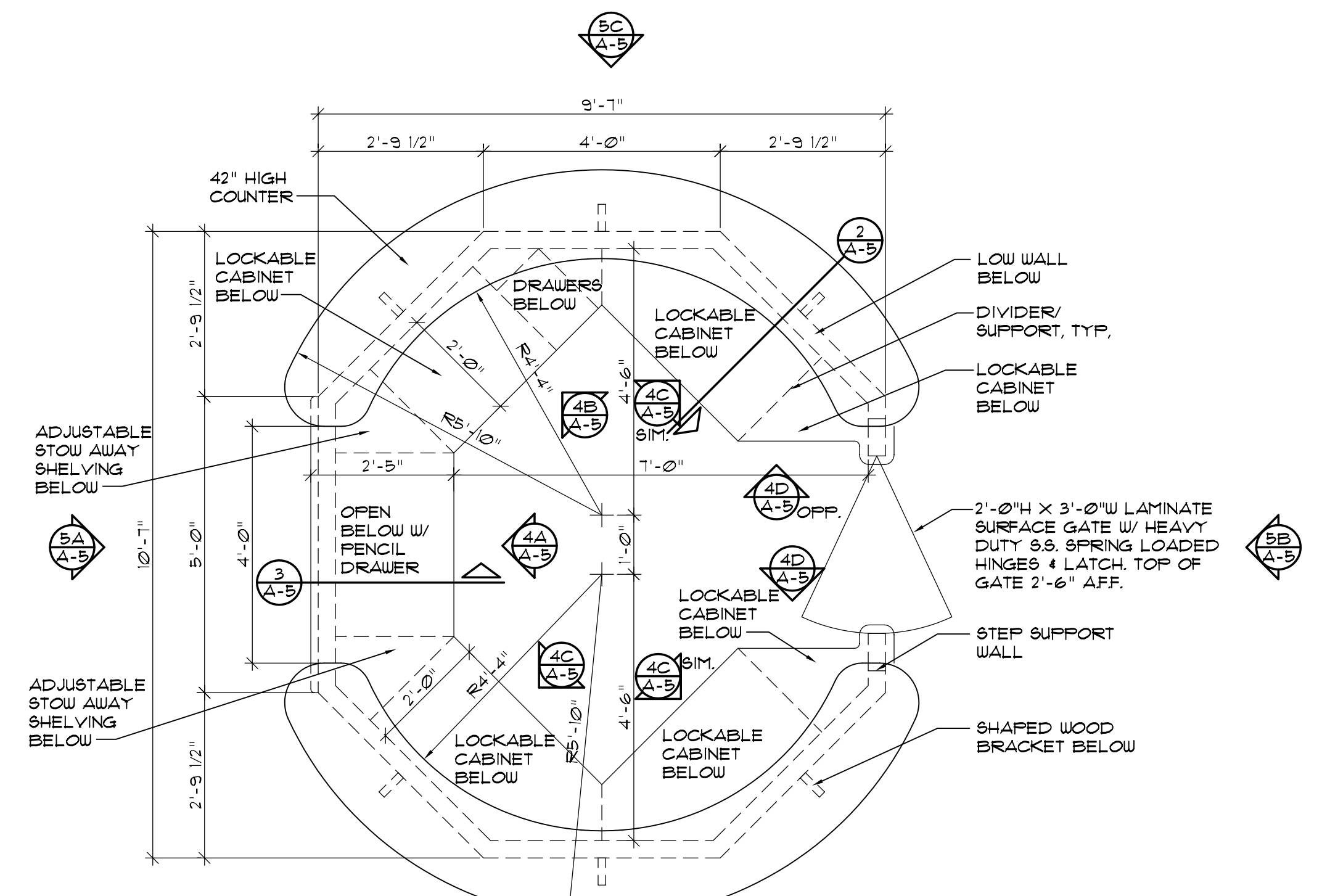
**4 KIOSK CABINET/COUNTER ELEVATIONS**  
SCALE: 1/4" = 1'-0"



**3 DETAIL @ KIOSK LOW COUNTER**  
SCALE: 3/4" = 1'-0"

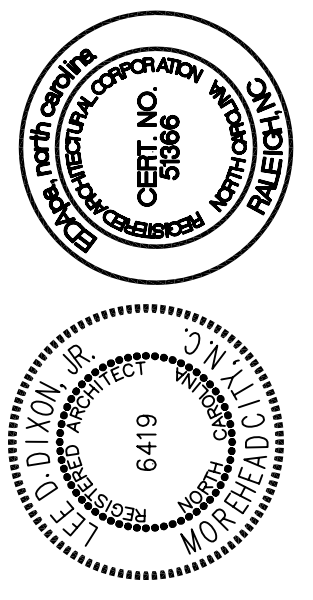


**2 DETAIL @ KIOSK HIGH COUNTER**  
SCALE: 3/4" = 1'-0"

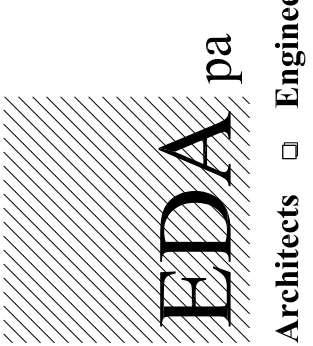


NOTE:  
SEE ALSO INTERIOR ELEVATIONS FOR UNDERCOUNTER REQUIREMENTS

**1 ENLARGED KIOSK PLAN**  
SCALE: 1/2" = 1'-0"



4706 Bridges Street Extension, Suite C  
Morehead City, North Carolina 28557  
Telephone: 252.247.2127 Fax: 252.247.6674  
Email: edna@ednapa.com



**CEDAR ISLAND FERRY  
OFFICE RENOVATION**  
CEDAR ISLAND, NORTH CAROLINA

ENLARGED KIOSK PLAN;  
DETAILS; INTERIOR  
ELEVATIONS

**2007412**

ISSUED: 30 DEC. 08  
DWG BY: MLR  
CKD BY: RMB, LDD

REVISIONS
4 28 APR. 09
22 JUNE 09

SHEET NO.  
**A-5**  
OF